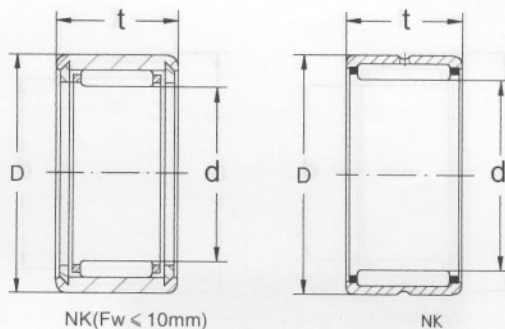


NK Series

Needle Roller Bearings



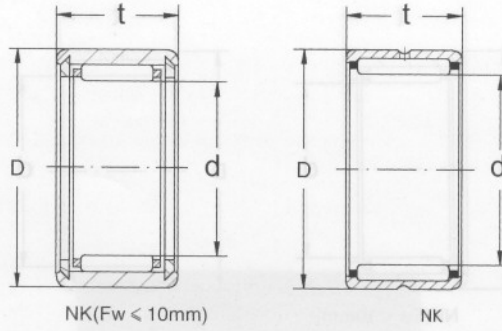
www.exvalos.cz

Ball / Roller Bearing

Shaft Diameter (mm)	Bearing Number	Dimensions(mm)			Basic Load Ratings(N)		Limiting Speeds(rpm)		Weight (g)
		d	D	t	Dynamic	Static	Grease	Oil	
10	NK10/12	10	17	12	4500	5100	19000	28000	10
	NK10/16	10	17	16	5450	6400	19000	28000	13
12	NK12/12	12	19	12	5000	6100	17000	26000	13
	NK12/16	12	19	16	6000	7700	17000	26000	16
	NKS12 TN	12	22	16	9600	10400	17000	26000	23
14	NK14/16	14	22	16	10300	11500	16000	24000	21
	NK14/20	14	22	20	13000	15600	16000	24000	26
	NKS14	14	25	16	14000	15000	16000	23000	29
15	NK15/16	15	23	16	10900	12700	15000	23000	22
	NK15/20	15	23	20	13000	17000	15000	23000	27
	NKS15	15	26	16	14400	15000	15000	23000	30
16	NK16/16	16	24	16	11000	14000	15000	23000	22
	NK16/20	16	24	20	14000	18000	15000	23000	28
	NKS16	16	28	16	15000	16000	14000	22000	35
17	NK17/16	17	25	16	12000	15000	15000	22000	24
	NK17/20	17	25	20	15000	20000	15000	21000	30
18	NK18/16	18	26	16	12500	16200	14000	21000	25
	NK18/20	18	26	20	15800	22000	14000	21000	31
	NKS18	18	30	16	16000	17000	13000	20000	37.9
19	NK19/16	19	27	16	13000	17400	14000	21000	26
	NK19/20	19	27	20	16000	22000	14000	21000	32
20	NK20/16	20	28	16	13000	17000	13000	20000	27
	NK20/20	20	28	20	16000	23000	13000	20000	34
22	NK22/16	22	30	16	14000	19000	12000	18000	30
	NK22/20	22	30	20	17000	27000	12000	18000	37
	NK22/20K	22	31	20	17700	27000	12000	18000	37.6
24	NK24/16	24	32	16	15000	22000	11000	17000	32
	NK24/20	24	32	20	18000	28000	11000	17000	40
25	NK25/16	25	33	16	15000	22000	11000	16000	33
	NK25/20	25	33	20	19000	30000	11000	16000	42
26	NK26/16	26	34	16	15000	23000	10000	15000	34
	NK26/20	26	34	20	19100	30000	10000	15000	42
28	NK28/20	28	37	20	22000	34000	9500	14000	52
	NK28/30	28	37	30	33000	57000	9500	14000	82
29	NK29/20	29	38	20	21900	34000	8500	14000	54
	NK29/30	29	38	30	27000	55000	8500	14000	84
30	NK30/20	30	40	20	22000	34000	8500	13000	65
	NK30/30	30	40	30	33000	57000	8500	13000	98
	NK30/17K	30	50	17	25000	32000	8500	13000	66
32	NK32/20	32	42	20	23500	37000	8500	13000	68
	NK32/30	32	42	30	34000	63000	8500	13000	102
35	NK35/20	35	45	20	24000	41500	7500	11000	74
	NK35/30	35	45	30	36000	69000	7500	11000	112
37	NK37/20	37	47	20	25000	43500	7500	11000	77
	NK37/30	37	47	30	37000	69500	7500	11000	113
38	NK38/20	38	48	20	25500	45000	7500	11000	79
	NK38/30	38	48	30	37500	73000	7500	11000	107
40	NK40/20	40	50	20	36000	47000	6500	10000	63
	NK40/30	40	50	30	39000	79000	6500	10000	125
42	NK42/20	42	52	20	26900	49000	6500	9500	86
	NK42/30	42	52	30	39000	79000	6500	9500	130
43	NK43/20	43	53	20	27500	50000	6500	9500	86
	NK43/30	43	53	30	40000	80000	6500	9500	133

Needle Roller Bearings

NK Series



www.exvalos.cz

Ball / Roller Bearing

Shaft Diameter (mm)	Bearing Number	Dimensions(mm)			Basic Load Ratings(N)		Limiting Speeds(rpm)		Weight (g)
		d	D	t	Dynamic	Static	Grease	Oil	
45	NK45/20	45	55	20	27500	53000	6000	9000	91
	NK45/30	45	55	30	41000	88000	6000	9000	139
50	NK50/25	50	62	25	38000	74000	5500	8000	158
	NK50/35	50	62	35	50000	106000	5500	8000	221
55	NK55/25	55	68	25	41000	82000	5000	7500	193
	NK55/35	55	68	35	54000	118000	5000	7500	267
60	NK60/25	60	72	25	41000	85000	4300	6500	185
	NK60/35	60	72	35	57000	130000	4300	6500	258
65	NK65/25	65	78	25	44000	98000	4000	6000	221
	NK65/35	65	78	35	59000	140000	4000	6000	310
68	NK68/25	68	82	25	44500	89000	4000	6000	241
	NK68/35	68	82	35	63000	139000	4000	6000	338
70	NK70/25	70	85	25	45000	91500	3700	5500	275
	NK70/35	70	85	35	64000	144000	3700	5500	386
75	NK75/25	75	92	25	54000	104000	3700	5500	315
	NK75/35	75	92	35	77000	160000	3700	5500	492
80	NK80/25	80	95	25	56000	119000	3300	5000	301
	NK80/35	80	95	35	79000	184000	3300	5000	425
85	NK85/25	85	105	25	70500	123000	3100	4700	404
	NK85/35	85	105	35	100000	193000	3100	4700	517
90	NK90/25	90	110	25	72000	128000	2900	4400	426
	NK90/35	90	110	35	103000	208000	2900	4400	604
95	NK95/26	95	115	26	74500	137000	2800	4200	364
	NK95/36	95	115	36	108000	223000	2800	4200	652
100	NK100/26	100	120	26	73000	137000	2700	4000	487
	NK100/36	100	120	36	107000	223000	2700	4000	679
105	NK105/26	105	125	26	76500	147000	2500	3800	506
	NK105/36	105	125	36	111000	238000	2500	3800	713
110	NK110/30	110	130	30	97500	204000	2400	3600	612
	NK110/40	110	130	40	129000	292000	2400	3600	830
120	NK120/40	120	140	40	113000	268000	2200	3300	910
130	NK130/40	130	150	40	116000	283000	2100	3100	980
145	NK145/32	145	170	32	111000	238000	1900	2700	1120
	NK145/42	145	170	42	153000	360000	1900	2700	1490