

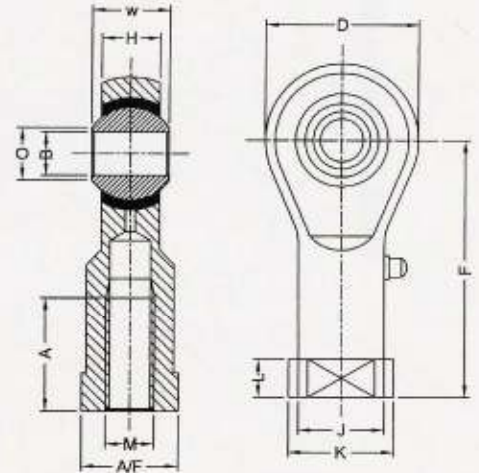
Female rod end Type

- Insertion type
- With grease nipple
- Material-

Body: Medium carbon steel
S35C

Ball: High-carbon chrome
bearing steel SUJ-2

Insertion: Copper alloy



www.exvalos.cz

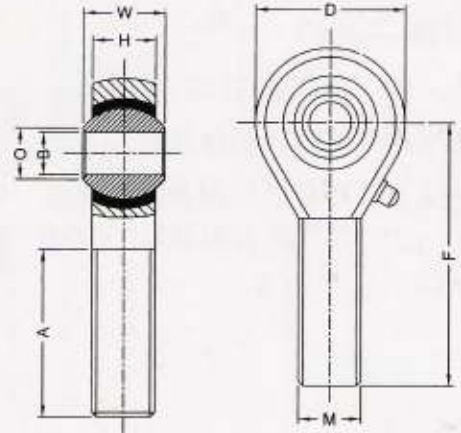
Series PHS

Model Number	Main Dimensions (mm)												Static load (kn)		Weight (g)	
	B	W	O	H	D	F	K	J	L	A/F	A	Thread M	Permit of Angle α	Radial		Axial
PHS 5 R/L H.	5	8	7.7	6	16	27	11	9	4	9	12	5×0.8	13	5.7	1.5	18
6	6	9	8.9	7	18	30	13	10	5	11	14	6×1.0	13	7	2	27
8F	8	12	10.4	9	22	36	16	12.5	5	14	17	8×1.0	13	11.6	3.5	46
8	8	12	10.4	9	22	36	16	12.5	5	14	17	8×1.25	13	11.6	3.5	46
10F	10	14	12.9	11	26	43	19	15	6.5	17	21	10×1.25	13	14.5	4.8	78
10	10	14	12.9	11	26	43	19	15	6.5	17	21	10×1.5	13	14.5	4.8	78
12F	12	16	15.4	12	30	50	22	17.5	6.5	19	24	12×1.25	13	17	6.5	115
12	12	16	15.4	12	30	50	22	17.5	6.5	19	24	12×1.75	13	17	6.5	115
14F	14	19	16.8	14	34	57	25	20	8	21	27	14×1.5	15	24	8.2	170
14	14	19	16.8	14	34	57	25	20	8	21	27	14×2.0	15	24	8.2	170
16F	16	21	19.3	15	38	64	27	22	8	22	33	16×1.5	15	28.5	10	230
16	16	21	19.3	15	38	64	27	22	8	22	33	16×2.0	15	28.5	10	230
18	18	23	21.8	17	42	71	31	25	10	27	36	18×1.5	15	35	12.5	320
20	20	25	24.3	18	46	77	34	27.5	10	30	40	20×1.5	15	40	15	420
22	22	28	25.8	20	50	84	37	30	12	32	43	22×1.5	15	52	18	540
25	25	31	29.6	22	56	94	42	33.5	12	36	48	24×2.0	15	60	23	750
30	30	37	34.8	26	67	110	50	40	15	41	56	30×2.0	15	81	30	1130

PHS 1/4 R/L H.	6.35	9	8.9	7	18	30	13	10	5	11	14	1/4-28UNF	13	7	2	27
5/16	7.94	12	10.4	9	22	36	16	12.5	5	14	17	5/16-24UNF	13	11.6	3.5	46
3/8	9.53	14	12.9	11	26	43	19	15	6.5	17	21	3/8-24UNF	13	14.5	4.8	78
1/2	12.70	16	15.4	12	30	50	22	17.5	6.5	19	24	1/2-20UNF	13	17	6.5	115
5/8	15.88	21	19.3	15	38	64	27	22	8	22	33	5/8-18UNF	15	28.5	10	230
3/4	19.05	23	21.8	17	42	71	31	25	10	27	36	3/4-16UNF	15	35	12.5	320

Male rod end Type

- Insertion type
- With grease nipple
- Material-
 - Body: Medium carbon steel S35C
 - Ball: High-carbon chrome bearing steel SUJ-2
 - Insertion: Copper alloy



www.exvalos.cz

Series POS

Model Number	Main Dimensions (mm)													Static load (kn)		Weight (g)
	B	W	O	H	D	F	K	J	L	A/F	A	Thread M	Permit of Angle α	Radial	Axial	
POS 5 R/L H.	5	8	7.7	6	16	33	—	—	—	—	20	5×0.8	13	5.7	1.5	14
6	6	9	8.9	7	18	36	—	—	—	—	22	6×1.0	13	7	2	21
8F	8	12	10.4	9	22	42	—	—	—	—	25	8×1.0	13	11.6	3.5	34
8	8	12	10.4	9	22	42	—	—	—	—	25	8×1.25	13	11.6	3.5	34
10F	10	14	12.9	11	26	48	—	—	—	—	29	10×1.25	13	14.5	4.8	58
10	10	14	12.9	11	26	48	—	—	—	—	29	10×1.5	13	14.5	4.8	58
12F	12	16	15.4	12	30	54	—	—	—	—	33	12×1.25	13	17	6.5	92
12	12	16	15.4	12	30	54	—	—	—	—	33	12×1.75	13	17	6.5	92
14F	14	19	16.8	14	34	60	—	—	—	—	36	14×1.5	15	24	8.2	135
14	14	19	16.8	14	34	60	—	—	—	—	36	14×2.0	15	24	8.2	135
16F	16	21	19.3	15	38	66	—	—	—	—	40	16×1.5	15	28.5	10	205
16	16	21	19.3	15	38	66	—	—	—	—	40	16×2.0	15	28.5	10	205
18	18	23	21.8	17	42	72	—	—	—	—	44	18×1.5	15	35	12.5	285
20	20	25	24.3	18	46	78	—	—	—	—	47	20×1.5	15	40	15	370
22	22	28	25.8	20	50	84	—	—	—	—	51	22×1.5	15	52	18	475
25	25	31	29.6	22	56	94	—	—	—	—	57	24×2.0	15	60	23	650
30	30	37	34.8	26	67	110	—	—	—	—	66	30×2.0	15	81	30	1070
POS 1/4 R/L H.	6.35	9	8.9	7	18	36	—	—	—	—	22	1/4-28UNF	13	7	2	46
5/16	7.94	12	10.4	9	22	42	—	—	—	—	25	5/16-24 UNF	13	11.6	3.5	34
3/8	9.53	14	12.9	11	26	48	—	—	—	—	29	3/8-24UNF	13	14.5	4.8	58
1/2	12.70	16	15.4	12	30	54	—	—	—	—	33	1/2-20UNF	13	17	6.5	92
5/8	15.88	21	19.3	15	38	66	—	—	—	—	40	5/8-18UNF	15	28.5	10	205
3/4	19.05	23	21.8	17	42	72	—	—	—	—	44	3/4-16UNF	15	35	12.5	285

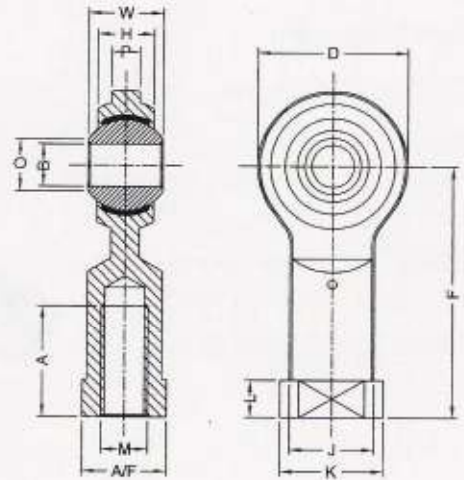
Female rod end Type

• Material—

Body: Medium carbon steel
S35C

Ball: High-carbon chrome
bearing steel SUJ-2

Insertion: Strong and flexible
Bronze mesh spread
with fluorine resin
(PTFE)



Series NHS

Model Number	Main Dimensions (mm)													Static load (kn)		Weight (g)
	B	W	O	H	D	F	K	J	P	A/F	A	Thread M	Permit of Angle α	Radial	Axial	
NHS 5 R/L H.	5	8	7.7	5.5	16	27	11	9	3	9	12	5×0.8	13	5.7	1.5	16
6	6	9	8.9	6	18	30	13	10	3.3	11	14	6×1.0	13	7	2	24
8F	8	12	10.4	8	22	36	16	12.5	4.5	14	17	8×1.0	13	11.6	3.5	41
8	8	12	10.4	8	22	36	16	12.5	4.5	14	17	8×1.25	13	11.6	3.5	41
10F	10	14	12.9	10	26	43	19	15	5.5	17	21	10×1.25	13	14.5	4.8	70
10	10	14	12.9	10	26	43	19	15	5.5	17	21	10×1.5	13	14.5	4.8	70
12F	12	16	15.4	11	30	50	22	17.5	6	19	24	12×1.25	13	17	6.5	104
12	12	16	15.4	11	30	50	22	17.5	6	19	24	12×1.75	13	17	6.5	104
14F	14	19	16.8	12	34	57	25	20	7	21	27	14×1.5	15	24	8.2	158
14	14	19	16.8	12	34	57	25	20	7	21	27	14×2.0	15	24	8.2	158
16F	16	21	19.3	13	38	64	27	22	7.5	22	33	16×1.5	15	28.5	10	200
16	16	21	19.3	13	38	64	27	22	7.5	22	33	16×2.0	15	28.5	10	200
18	18	23	21.8	15	42	71	31	25	8.5	27	36	18×1.5	15	35	12.5	288
20	20	25	24.3	16	46	77	34	27.5	9	30	40	20×1.5	15	40	15	372
22	22	28	25.8	18	50	84	37	30	10	32	43	22×1.5	15	52	18	475
25	25	31	29.6	20	56	94	42	33.5	12	36	48	24×2.0	15	60	23	680
30	30	37	34.8	24	67	110	50	40	15	41	56	30×2.0	15	81	30	1020

NHS 1/4 R/L H.	6.35	9	8.9	6	18	30	13	10	3.3	11	14	1/4-28UNF	13	7	2	24
5/16	7.94	12	10.4	8	22	36	16	12.5	4.5	14	17	5/16-24UNF	13	11.6	3.5	41
3/8	9.53	14	12.9	10	26	43	19	15	5.5	17	21	3/8-24UNF	13	14.5	4.8	70
1/2	12.70	16	15.4	11	30	50	22	17.5	6	19	24	1/2-20UNF	13	17	6.5	104
5/8	15.88	21	19.3	13	38	64	27	22	7.5	22	33	5/8-18UNF	15	28.5	10	200
3/4	19.05	23	21.8	15	42	71	31	25	8.5	27	36	3/4-16UNF	15	35	12.5	288

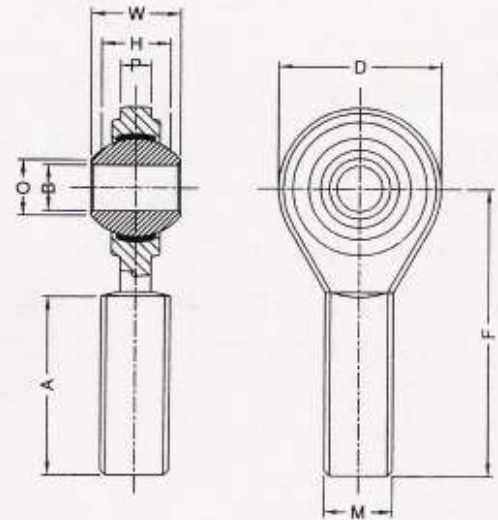
Male rod end Type

• Material—

Body: Medium carbon steel
S35C

Ball: High-carbon chrome
bearing steel SUJ-2

Insertion: Strong and flexible
Bronze mesh spread
with fluorine resin
(PTFE)



www.exvalos.cz

Series NOS

Model Number	Main Dimensions (mm)													Static load (kn)		Weight (g)
	B	W	O	H	D	F	K	P	L	A/F	A	Thread M	Permit of Angle α	Radial	Axial	
NOS 5 R/L H.	5	8	7.7	5.5	16	33	—	3	—	—	20	5×0.8	13	5.7	1.5	13
6	6	9	8.9	6	18	36	—	3.3	—	—	22	6×1.0	13	7	2	17
8F	8	12	10.4	8	22	42	—	4.5	—	—	25	8×1.0	13	11.6	3.5	33
8	8	12	10.4	8	22	42	—	4.5	—	—	25	8×1.25	13	11.6	3.5	33
10F	10	14	12.9	10	26	48	—	5.5	—	—	29	10×1.25	13	14.5	4.8	54
10	10	14	12.9	10	26	48	—	5.5	—	—	29	10×1.5	13	14.5	4.8	54
12F	12	16	15.4	11	30	54	—	6	—	—	33	12×1.25	13	17	6.5	85
12	12	16	15.4	11	30	54	—	6	—	—	33	12×1.75	13	17	6.5	85
14F	14	19	16.8	12	34	60	—	7	—	—	36	14×1.5	15	24	8.2	129
14	14	19	16.8	12	34	60	—	7	—	—	36	14×2.0	15	24	8.2	129
16F	16	21	19.3	13	38	66	—	7.5	—	—	40	16×1.5	15	28.5	10	181
16	16	21	19.3	13	38	66	—	7.5	—	—	40	16×2.0	15	28.5	10	181
18	18	23	21.8	15	42	72	—	8.5	—	—	44	18×1.5	15	35	12.5	250
20	20	25	24.3	16	46	78	—	9	—	—	47	20×1.5	15	40	15	333
22	22	28	25.8	18	50	84	—	10	—	—	51	22×1.5	15	52	18	430
25	25	31	29.6	20	56	94	—	12	—	—	57	24×2.0	15	60	23	610
30	30	37	34.8	24	67	110	—	15	—	—	66	30×2.0	15	81	30	990
NOS 1/4 R/L H.	6.35	9	8.9	6	18	36	—	3.3	—	—	22	1/4-28UNF	13	7	2	17
5/16	7.94	12	10.4	8	22	42	—	4.5	—	—	25	5/16-24UNF	13	11.6	3.5	33
3/8	9.53	14	12.9	10	26	48	—	5.5	—	—	29	3/8-24UNF	13	14.5	4.8	54
1/2	12.70	16	15.4	11	30	54	—	6	—	—	33	1/2-20UNF	13	17	6.5	85
5/8	15.88	21	19.3	13	38	66	—	7.5	—	—	40	5/8-18UNF	15	28.5	10	181
3/4	19.05	23	21.	15	42	72	—	8.5	—	—	44	3/4-16UNF	15	35	12.5	250

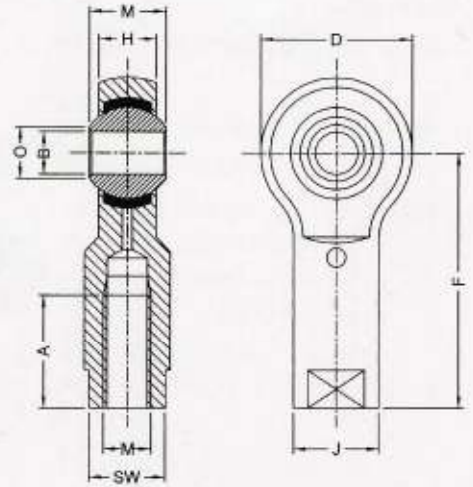
Female rod end Type

- Plastic to inject type
- Self-lubricating
- Material-

Body: Medium carbon steel
S35C

Ball: High-carbon chrome
bearing steel SUJ-2

Insertion: Friction resistant
P.O.M.



www.exvalos.cz

Series SI-E

Model Number	Main Dimensions (mm)													Static load (kn)		Weight (g)
	B	W	O	H	D	F	K	J	L	SW	A	Thread M	Permit of Angle α	Radial	Axial	
SI 6E R/L H.	6	6	9	4	20	30	—	10	—	9	12	6×1.0	12	9	3	17
8E-F	8	8	10	5	23	36	—	13	—	11	16	8×1.0	12	15	5	31
8E	8	8	10	5	23	36	—	13	—	11	16	8×1.25	12	15	5	31
10E-F	10	9	12	6	28	43	—	16	—	14	20	10×1.25	14	20	7	54
10E	10	9	12	6	28	43	—	16	—	14	20	10×1.5	14	20	7	54
12E-F	12	10	15	7	32	50	—	19	—	17	22	12×1.25	14	25	8	86
12E	12	10	15	7	32	50	—	19	—	17	22	12×1.75	14	25	8	86
15ES-F	15	12	19	9	38	61	—	22	—	19	25	14×1.5	12	35	12	142
15ES	15	12	19	9	38	61	—	22	—	19	25	14×2.0	12	35	12	142
17ES-F	17	14	21	10	44	67	—	25	—	22	28	16×1.5	12	42	14	208
17ES	17	14	21	10	44	67	—	25	—	22	28	16×2.0	12	42	14	208
20ES	20	16	25	12	51	77	—	28	—	24	33	20×1.5	12	55	18	290
25ES	25	20	31	16	62	94	—	35	—	30	42	24×2.0	12	78	26	573
SI 1/4 E R/L H.	6.35	6	9	4	20	30	—	10	—	9	12	1/4-28UNF	12	9	3	17
5/16E	7.94	8	10	5	23	36	—	13	—	11	16	5/16-24UNF	12	15	5	31
3/8E	9.53	9	12	6	28	43	—	16	—	14	20	3/8-24UNF	14	20	7	54
1/2E	12.70	10	15	7	32	50	—	19	—	17	22	1/2-20UNF	14	25	8	86
5/8ES	15.88	14	21	10	44	67	—	25	—	22	28	5/8-18UNF	12	42	14	208
3/4ES	19.05	16	25	12	51	77	—	28	—	24	33	3/4-16UNF	12	55	18	290

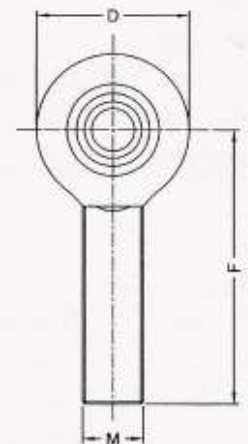
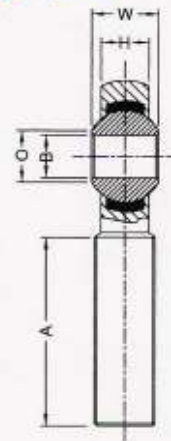
Male rod end Type

- Plastic to inject type
- Self-lubricating
- Material-

Body: Medium carbon steel
S35C

Ball: High-carbon chrome
bearing steel SUJ-2

Insertion: Friction resistant
P.O.M.



Series SA-E

Model Number	Main Dimensions (mm)													Static load (kn)		Weight (g)
	B	W	O	H	D	F	K	J	L	SW	A	Thread M	Permit of Angle α	Radial	Axial	
SA 6E R/L H.	6	6	9	4	20	36	-	-	-	-	22	6×1.0	12	9	3	14
8E-F	8	8	10	5	23	42	-	-	-	-	25	8×1.0	12	15	5	24
8E	8	8	10	5	23	42	-	-	-	-	25	8×1.25	12	15	5	24
10E-F	10	9	12	6	28	48	-	-	-	-	29	10×1.25	14	20	7	41
10E	10	9	12	6	28	48	-	-	-	-	29	10×1.5	14	20	7	41
12E-F	12	10	15	7	32	54	-	-	-	-	33	12×1.25	14	25	8	67
12E	12	10	15	7	32	54	-	-	-	-	33	12×1.75	14	25	8	67
15ES-F	15	12	19	9	38	63	-	-	-	-	36	14×1.5	12	35	12	110
15ES	15	12	19	9	38	63	-	-	-	-	36	14×2.0	12	35	12	110
17ES-F	17	14	21	10	44	69	-	-	-	-	40	16×1.5	12	42	14	163
17ES	17	14	21	10	44	69	-	-	-	-	40	16×2.0	12	42	14	163
20ES	20	16	25	12	51	78	-	-	-	-	47	20×1.5	12	55	18	270
25ES	25	20	31	16	62	94	-	-	-	-	57	24×2.0	12	78	26	508

SA 1/4E R/L H.	6.35	6	9	4	20	36	-	-	-	-	22	1/4-28UNF	12	9	3	14
5/16E	7.94	8	10	5	23	42	-	-	-	-	25	5/16-24UNF	12	15	5	24
3/8E	9.53	9	12	6	28	48	-	-	-	-	29	3/8-24UNF	14	20	7	41
1/2E	12.70	10	15	7	32	54	-	-	-	-	33	1/2-20UNF	14	25	8	67
5/8ES	15.88	14	21	10	44	69	-	-	-	-	40	5/8-18UNF	12	42	14	163
3/4ES	19.05	16	25	12	51	78	-	-	-	-	47	3/4-16UNF	12	55	18	270

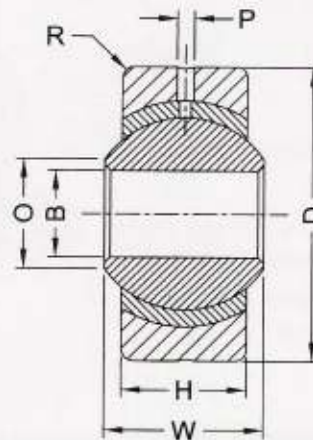
Spherical bearings Type

• Material—

Body: Medium carbon steel S35C

Ball: High-carbon chrome bearing steel SUJ-2

Insertion: Copper alloy



www.exvalos.cz

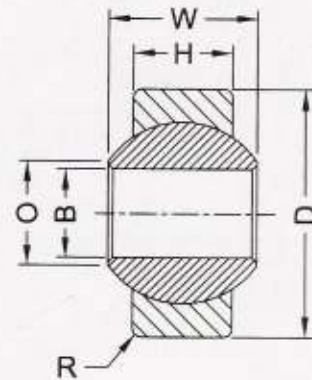
Series PB

Model Number	Main Dimensions (mm)								Static load (kn)		Weight (g)
	B	W	O	H	D	P	R	Permit of Angle α	Radial	Axial	
PB 4	4	6	7.0	4.5	13	0.8	0.5	13	3	1	5
5	5	8	7.7	6	16	0.8	0.5	13	5.7	1.5	8.5
6	6	9	8.9	7	18	0.8	0.5	13	7	2	13
8	8	12	10.4	9	22	1.0	0.5	13	11.6	3.5	24
10	10	14	12.9	11	26	1.0	0.5	13	14.5	4	39
12	12	16	15.4	12	30	1.0	0.5	13	17	6.5	58
14	14	19	16.8	14	34	1.2	0.5	15	24	8.2	84
16	16	21	19.3	15	38	1.2	0.5	15	28.5	10	111
18	18	23	21.8	17	42	1.5	0.5	15	35	12.5	160
20	20	25	24.3	18	46	1.5	0.5	15	40	15	210
22	22	28	25.8	20	50	1.5	0.5	15	52	18	265
25	25	31	29.6	22	56	1.5	0.5	15	60	23	390

Spherical bearings Type

• Material—

Body: Copper alloy
 Ball: High-carbon chrome bearing steel SUJ-2

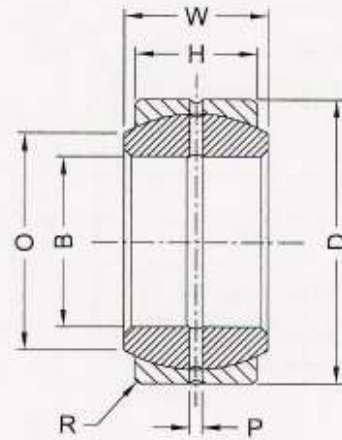


Series PC

Model Number	Main Dimensions (mm)								Static load (kn)		Weight (g)
	B	W	O	H	D	P	R	Permit of Angle α	Radial	Axial	
PC 4	4	6	7.0	4.5	12	—	0.5	13	3	1	3.5
5	5	8	7.7	6	13	—	0.5	13	5.7	1.5	6
6	6	9	8.9	7	15	—	0.5	13	7	2	9
8	8	12	10.4	9	18	—	0.5	13	11.6	3.5	17
10	10	14	12.9	11	22	—	0.5	13	14.5	4.8	27
12	12	16	15.4	12	26	—	0.5	15	17	6.5	41
14	14	19	16.8	14	30	—	0.5	15	24	8.2	59
16	16	21	19.3	15	34	—	0.5	15	28.5	10	78
18	18	23	21.8	17	38	—	0.5	15	35	12.5	112
20	20	25	24.3	18	42	—	0.5	15	40	15	147
22	22	28	25.8	20	46	—	0.5	15	52	18	186
25	25	31	29.6	22	50	—	0.5	15	60	23	273

Spherical bearings Type

- Material—
High-carbon chrome bearing steel SUJ-2



Series GE

Model Number	Main Dimensions (mm)								Static load (kn)		Weight (g)
	B	W	O	H	D	P	R	Permit of Angle α	Radial	Axial	
GE 10	10	9	12	8	19	1.0	0.5	8	36	9	13
12	12	10	14	9	22	1.0	0.5	8	40	10	20
15	15	12	18	10	26	1.5	0.5	8	50	15	32
17	17	14	20	11	30	1.5	0.5	8	60	20	45
20	20	16	24	13	35	1.5	0.5	7	110	27	70
25	25	20	29	16	42	2	1.0	7	190	45	130
30	30	22	34	18	47	2	1.0	8	230	55	170
35	35	25	39	20	55	2	1.0	8	320	75	250
40	40	28	45	22	62	2.5	1.0	8	380	90	320
45	45	32	50	25	68	2.5	1.0	9	500	120	450
50	50	35	55	28	75	2.5	1.0	9	600	145	580
60	60	44	66	36	90	2.5	1.0	9	700	230	1100

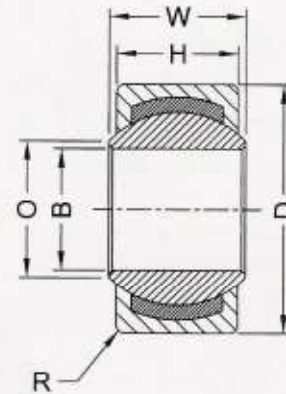
Spherical bearings Type

• Material—

Body: Medium carbon steel S35C

Ball: High-carbon chrome bearing steel SUJ-2

Insertion: Strong and flexible
Bronze mesh spread
with fluorine resin



Series GE-C

www.exvalos.cz

Model Number	Main Dimensions (mm)								Static load (kn)		Weight (g)
	B	W	O	H	D	P	R	Permit of Angle α	Radial	Axial	
GE 10C	10	9	12	8	19	—	0.5	8	80	20	13
12	12	10	14	9	22	—	0.5	8	100	25	20
15	15	12	18	10	26	—	0.5	8	120	30	32
17	17	14	20	11	30	—	0.5	8	160	40	45
20	20	16	24	13	35	—	1.0	8	200	50	70
25	25	20	29	16	42	—	1.0	7	380	90	130
30	30	22	34	18	47	—	1.0	7	450	100	170
35	35	25	39	20	55	—	1.0	8	650	150	250
40	40	28	45	22	62	—	1.0	8	850	200	320
45	45	32	50	25	68	—	1.0	9	1000	250	450
50	50	35	55	28	75	—	1.0	9	1200	300	580
60	60	44	66	36	90	—	1.0	9	2000	500	1100

Link Ball Type

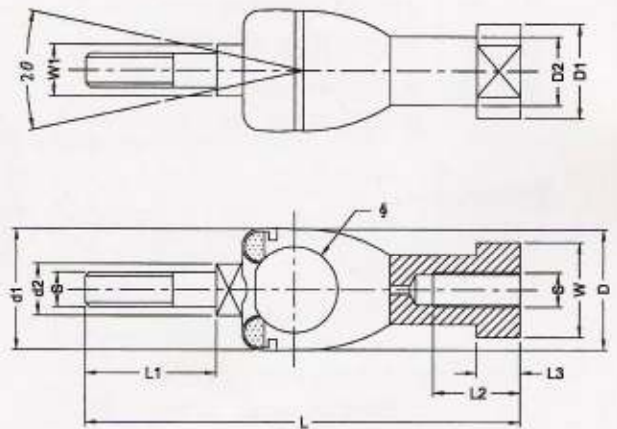
· Material-

Body: High strength Zinc alloy

Shank: Medium carbon by chrome treatment

Boot: Special synthetic rubber

· We can provide products in similar dimensions with all kinds of threads, for example, UK standards (UNF, UNC) or left-hand screw... etc.



Series BI

Model Number	Outline dimensions		Thread	Main dimensions(mm)											Static load kn	Weight (g)
	L	D		S	L ₁	L ₂	L ₃	D ₁	D ₂	W _o -0.2	W ₁ -0.2	d ₁	d ₂	Ball dia. φ		
BI-5	50	17	M5×0.8	12	15	4.5	11	9	9	7	18	8	11.11	25°	25	25
BI-6	60	20	M6×1	17	18	5	13	10	11	8	21	10.5	12.7	25°	36	40
BI-8	68	24	M8×1.25	26	20	6	16	12.5	14	11	26	14	15.88	25°	50	75
BI-10F	85	28	M10×1.25	29	22	7	19	15	17	13	29	16	19.05	25°	75	125
BI-10	85	28	M10×1.5	29	22	7	19	15	17	13	29	16	19.05	25°	75	125
BI-12F	94	32	M12×1.25	30	25	7	22	17.5	19	14	33	18	22.22	25°	100	190
BI-12	94	32	M12×1.75	30	25	7	22	17.5	19	14	33	18	22.22	25°	100	190
BI-14F	108	36	M14×1.5	32	28	8	25	20	22	17	38	19	25.4	17°	120	280
BI-14	108	36	M14×2	32	28	8	25	20	22	17	38	19	25.4	17°	120	280
BI-16F	120	40	M16×1.5	34	30	8	27	22	22	19	44	21	25.4	17°	140	370
BI-16	120	40	M16×2	34	30	8	27	22	22	19	44	21	25.4	17°	140	370

Link Ball Type

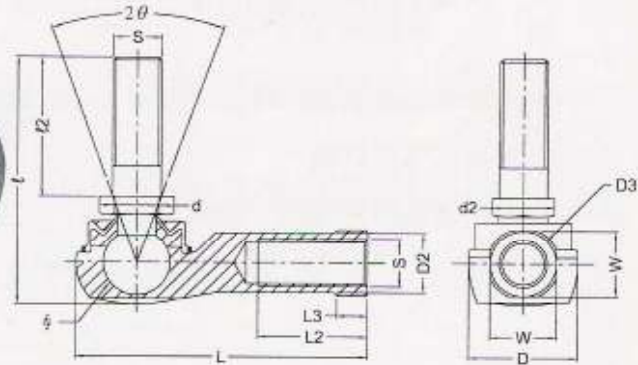
• Material-

Body: High strength Zinc alloy

Shank: Medium carbon by chrome treatment

Boot: Special synthetic rubber

- We can provide products in similar dimensions with all kinds of threads, for example, UK standards (UNF, UNC) or left-hand screw... etc.



Series BL

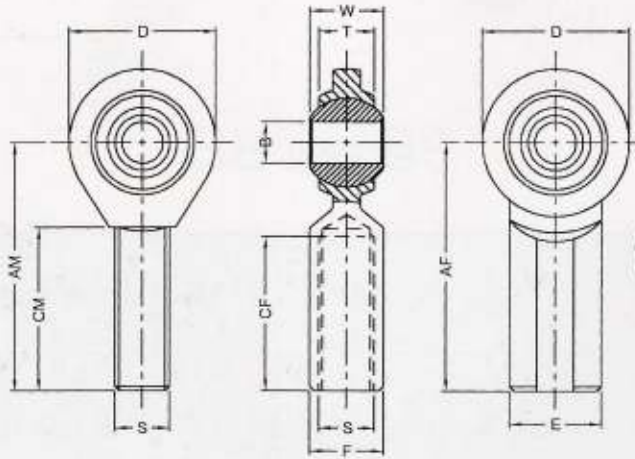
Model Number	Outline dimensions			Thread	Main dimensions (mm)										Static load kn	Weight (g)
	L	D	ℓ		S	L ₂	L ₃	D ₂	D ₃	W O -0.2	d	ℓ ₂	d ₂	Ball dia. φ		
BL-6	38	16	34	M6×1	16	5	10	13	11	8	16	7	11.11	40°	26	26
BL-8	46	19	41	M8×1.25	19	6	12.5	16	14	10.5	17	9	12.7	40°	50	49
BL-10F	56	25	52	M10×1.25	23	7	14.5	19	17	14	26	11	15.88	40°	75	90
BL-10	56	25	52	M10×1.5	23	7	14.5	19	17	14	26	11	15.88	40°	75	90
BL-12F	65	29	58	M12×1.25	26	8	17.5	22	19	16	29	13	19.05	40°	100	148
BL-12	65	29	58	M12×1.75	26	8	17.5	22	19	16	29	13	19.05	40°	100	148
BL-14F	74	34	75	M14×1.5	30	10	20	25	22	18	30	15	22.22	40°	120	245
BL-14	74	34	75	M14×2	30	10	20	25	22	18	30	15	22.22	40°	120	245
BL-16F	83	38	80	M16×1.5	34	11	22	27	24	19	32	17	22.22	30°	140	325
BL-16	83	38	80	M16×2	34	11	22	27	24	19	32	17	22.22	30°	140	325

Stainless Steel Rod end Type

- Material-
 - Body: Stainless steel SUS 304
 - Ball: Stainless steel SUS 440C
 - Insertion: strong and flexible (PTFE)
- You could also order products mm standards
- This product line can be made of general carbonic steel with a grease nipple



Series LM



Series LF

Inch Size

www.exvalos.cz

Model Number	Thread S	B	D	W	T	Ball Dia. ϕ	AM	AF	CM	CF	E ϕ	F	Permit of Angle α	Static Load (LBS)	Weight (LBS)
LM3	UNF	0.1875	0.525	0.312	0.204	0.437	1.250	1.032	0.750	0.500	0.405	0.312	20°	1200	0.03
LF3	3/16×10:32														0.04
LM4	1/4-28UNF	0.2500	0.760	0.375	0.250	0.500	1.562	1.242	1.000	0.625	0.468	0.375	20°	2000	0.05
LF4	(M6×1)														0.06
LM5	5/16-24UNF	0.3125	0.875	0.437	0.312	0.625	1.875	1.375	1.250	0.625	0.500	0.437	22°	3000	0.07
LF5	(M8×12.5)														0.08
LM6	3/8-24UNF	0.375	1.000	0.500	0.359	0.710	1.939	1.625	1.250	0.750	0.687	0.500	22°	4000	0.12
LF6	(M10×1.5)														0.13
LM7	7/16-20UNF	0.4375	1.125	0.562	0.408	0.790	2.125	1.812	1.375	0.875	0.750	0.625	21°	5000	0.16
LF7															0.18
LM8	1/2-20UNF	0.5000	1.312	0.625	0.453	0.875	2.436	2.125	1.500	1.000	0.875	0.750	20°	6000	0.24
LF8	(M12×1.75)														0.29
LM10	5/8-18UNF	0.625	1.500	0.750	0.484	1.125	2.625	2.500	1.625	1.250	1.000	0.875	26°	8000	0.36
LF10	(M16×2.0)														0.43
LM12	3/4-16UNF	0.7500	1.750	0.875	0.593	1.250	2.875	2.375	1.750	1.375	1.125	1.000	21°	10000	0.57
LF12															0.65